



**145.4371 | 3/4" 3-Way Diverter With Integrated Shut-Off**

**SPECIFICATIONS:**

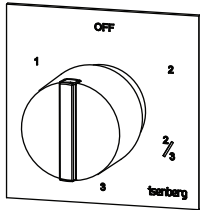
- Turn Handle for water diversion.
- Includes valve (TVH.4371)
- Valve Flow Rate - 8.0 GPM @ 60 PSI

**STANDARDS:**

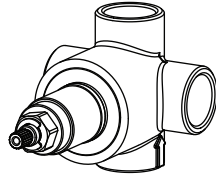
- ASME A112.18.1 / CSA B125.1

**FINISHES :**

- Chrome - 100.4371CP



Trim  
[ 145.4371T\*\* ]



Valve  
[ TVH.4371 ]

Belgian Mirror Finish



Legislation Compliance



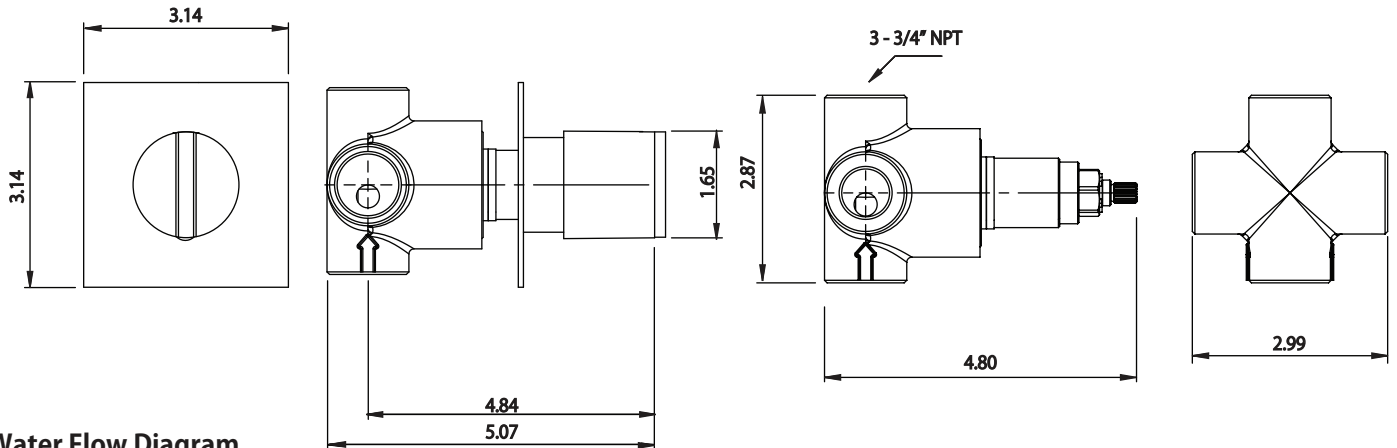
ZeroDrip Technology



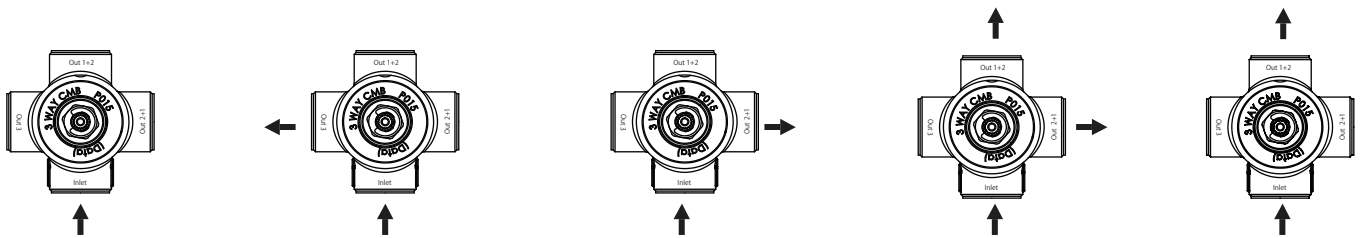
**!** A separate volume control is **not** needed to turn water supply off. Volume control functionality is integrated within this valve.

**Technical Diagram**

See Spec Sheet For TVH.4371 For Detailed Information On Valve.



**Water Flow Diagram**



Trim Position = OFF (Top)

Trim Position = 1 (Left)

Trim Position = 2 (Right)

Trim Position = 2/3

Trim Position = 3 (Bottom)